

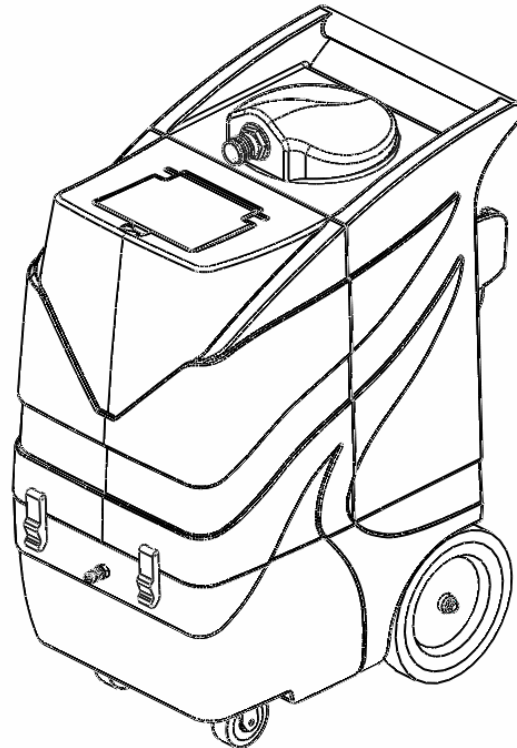


THRESHER 2

Carpet And Upholstery Cleaner

Model No.:
THRESHER 2 – 14 gal Extractor

Operator and Parts Manual



DIAMOND LUSTRE INTL LTD
P.O. BOX 333
WILLOW STREET, PA 17584 U.S.A.

FAX: 1-717-464-5159
CUSTOMER SERVICE: 1-800-899-2833

MNL61413A22AD
Rev. 00 (05-08)

OPERATION

This manual is furnished with each new model. It provides necessary operation and maintenance instructions and an illustrated parts list.

Read this manual completely and understand the machine before operating or servicing it.

Use the illustrated Parts Lists to order parts. Before ordering parts or supplies, be sure to have your machine model number and serial number handy. Parts and supplies may be ordered by phone or mail from any authorized parts and service center, distributor or directly from Diamond Lustre Intl Ltd.

This machine will provide excellent service. However, the best results will be obtained at minimum costs if:

- The machine is operated with reasonable care.
- The machine is maintained regularly – per the maintenance instructions provided.
- The machine is maintained with manufacturer supplied or equivalent parts.

MACHINE DATA

Please fill out at time of installation for future reference.

Model No.- _____

Install. Date- _____

Serial No.- _____

© Kleenrite

Printed in U.S.A.

Kleenrite is a registered United States trademark

TABLE OF CONTENTS

SAFETY PRECAUTIONS	3
MACHINE COMPONENTS	4
MACHINE SETUP	4
MACHINE OPERATION	5
DRAINING TANKS.....	6
FREEZE PROTECTION.....	6
MACHINE MAINTENANCE	7
STORING MACHINE.....	7
RECOMMENDED STOCK ITEMS	7
TROUBLE SHOOTING	8
SPECIFICATIONS.....	9
ELECTRICAL DIAGRAM.....	10
PARTS LIST.....	11
OPTIONS.....	16
WARRANTY POLICY	19

OPERATION

SAFETY PRECAUTIONS

This machine is intended for commercial use. It is designed to wet clean carpet and upholstery in a indoor environment and is not constructed for any other use. Use only recommended cleaning solutions and accessory tools.

All operators must read, understand and practice the following safety precautions.

The following safety-alert symbols are used throughout this manual as indicated in their description:

⚠ WARNING: To warn of hazards or unsafe practices which could result in severe personal injury or death.

FOR SAFETY: To identify actions which must be followed for safe operation of equipment.

The following information signals potentially dangerous conditions to the operator or equipment.

FOR SAFETY:

1. **Do not operate machine:**
 - Unless trained and authorized.
 - Unless operator manual is read and understood.
 - In flammable or explosive areas.
 - With damaged cord or plug.
 - If not in proper operating condition.
 - Unless cord is properly grounded.
 - In outdoor areas.
 - In standing water.
 - With the use of an extension cord.
2. **Before operating machine:**
 - Make sure all safety devices are in place and operate properly.
3. **When using machine:**
 - Do not run machine over cord.
 - Do not pull machine by plug or cord.
 - Do not pull cord around sharp edges or corners.
 - Do not unplug by pulling on cord.
 - Do not stretch cord.
 - Do not handle plugs with wet hands.
 - Keep cord away from heated surfaces.
 - Report machine damage or faulty operation immediately.
 - Follow mixing and handling instructions on chemical containers.
 - Connect hoses before turning on pump.
 - Be sure chemicals are safe and non-toxic.

4. **Before leaving or servicing machine:**
 - Turn off machine.
 - Unplug cord from wall outlet.
5. **When servicing machine:**
 - Unplug cord from wall outlet.
 - Avoid moving parts. Do not wear loose jackets, shirts, or sleeves.
 - Use manufacturer supplied or approved replacement parts.

⚠ WARNING: Hazardous Voltage. Shock or electrocution can result. Always unplug machine before servicing.

⚠ WARNING: Flammable materials can cause an explosion or fire. Do not use flammable materials in tank(s).

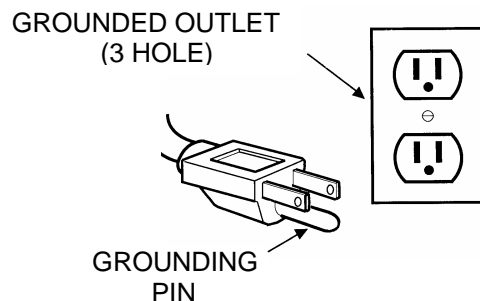
⚠ WARNING: Flammable materials or reactive metals can cause an explosion or fire. Do not pick up.

⚠ WARNING: Hot solutions up to 88° C (190°F). Do not touch with any part of the body. Use thermometer to gauge temperature.

⚠ WARNING: Contents of solution hoses may be under pressure even after pump is off.

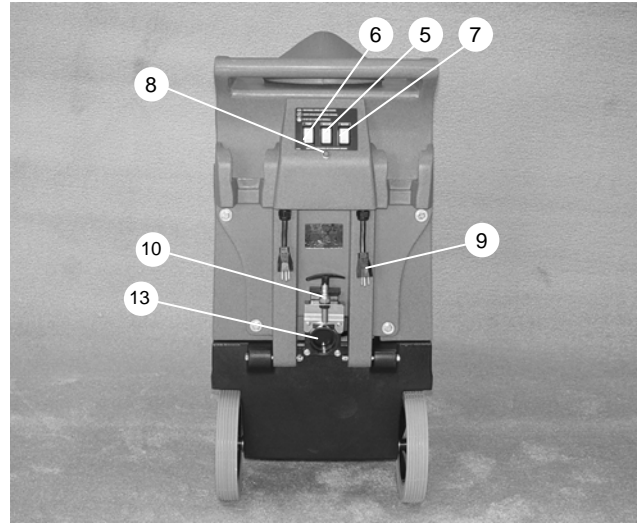
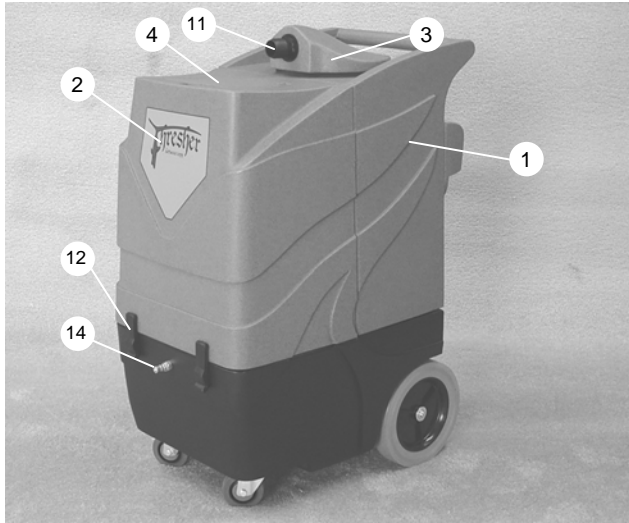
GROUNDING INSTRUCTIONS

Machine must be grounded. If it should malfunction or breakdown, grounding provides a path of least resistance for electrical current to reduce the risk of electrical shock. This machine is equipped with a cord having an equipment-grounding connector and grounding plug. The plug must be plugged into an appropriate outlet that is properly installed in accordance with all local codes and ordinances. Do not remove ground pin; if missing, replace plug before use. International models will have different cord ends.



OPERATION

MACHINE COMPONENTS



1. Recovery Tank
2. Solution Tank (under lid)
3. Recovery Tank Lid
4. Solution Tank Lid
5. Vacuum Switch
6. Pump Switch
7. Inline Heater Switch

8. Separate Circuit Indicator Light
9. Power Cord Connectors
10. Empty-Out Nozzle
11. Vacuum Hose Connector
12. Latches
13. Recovery Tank Drain
14. Solution Hose Connector

MACHINE SETUP

1. Carefully check carton for signs of damage. Report damages at once to carrier. The machine is shipped fully assembled and is ready for use.



Fig. 1

2. Connect hoses and tool to be used (Figure 1).
3. Using a clean bucket or hose, fill solution tank with 41 liters (11 gallons) of hot water, 60° C (140° F) maximum (Figure 2).

⚠ WARNING: Flammable materials can cause an explosion or fire. Do not use flammable materials in tank(s).

4. Add a recommended cleaning chemical.

FOR SAFETY: When using machine, follow mixing and handling instructions on chemical containers.



Fig. 2

OPERATION

ATTENTION: If using powdered cleaning chemicals, mix prior to adding.

NOTE: If desired, water alone achieves excellent cleaning results.

5. Plug machine's power cord into grounded wall outlet on separate circuits (Figure 3). Green circuit indicator light on switch panel illuminated confirms connection to separate circuit.

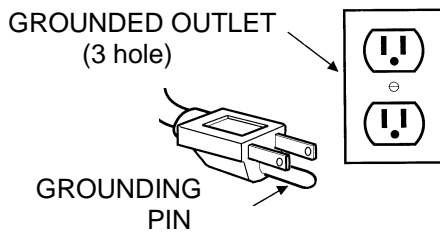


Fig. 3

FOR SAFETY: Do not operate machine unless cord is properly grounded.

FOR SAFETY: Do not operate machine with the use of an extension cord.

6. Secure recovery lid in place.

MACHINE OPERATION

FOR SAFETY: Do not operate machine unless operator manual is read and understood.

PRE-OPERATION AND HEATING

1. Vacuum carpet and remove other debris with standard vacuum.
2. Inspect power cord (s) for damage.
3. Turn on heater for 5 minutes to warm up heat exchanger. (Figure 4).

CLEANING CARPETS

1. Turn on vacuum and pump switches (Figure 5).



Fig. 4



Fig. 5

2. Take carpet cleaning wand in hand and squeeze valve trigger while moving the tool in short forward and backward strokes. (Figure 6).

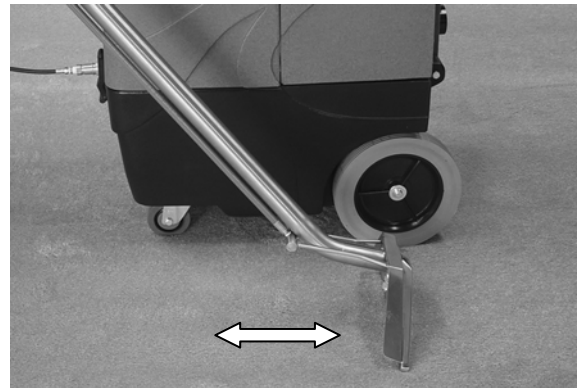


Fig. 6

WHILE OPERATING

1. Overlap each path by 50 mm (2 in).

Warning: Flammable materials or reactive metals can cause an explosion or fire. Do not pick up.

2. Periodically check for excessive foam buildup in recovery tank. Use a recommended foam control solution to prevent vacuum motor damage.

ATTENTION: Excessive foam buildup will not activate the float shut-off screen.

3. To clean heavily soiled areas, repeat cleaning path from a different direction.
4. Empty recovery tank every time water is added to solution tank.

CLEANING WITH ACCESSORY TOOLS

1. Connect accessory tool hoses to the couplers at the end of the hoses already attached to the machine. (Figure 7).

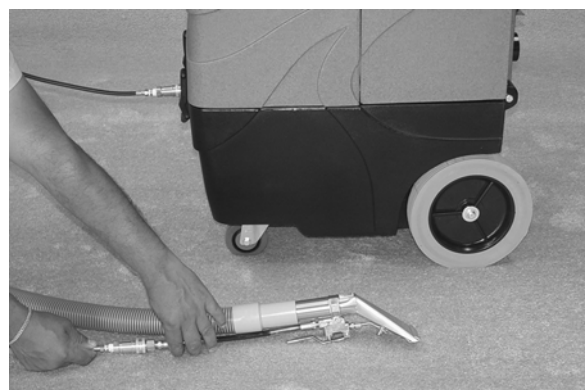


Fig. 7

OPERATION

- Operate accessory tool as normal (Figure 8).

NOTE: Before cleaning upholstery, always check cleaning instructions sewn in furniture by manufacturer.

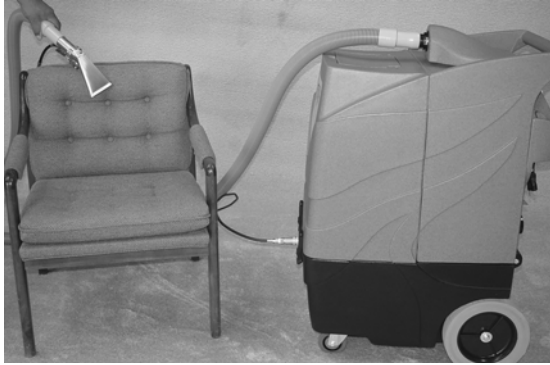


Fig. 8

- After cleaning, relieve water pressure from tool before disconnecting hose. Squeeze trigger for five seconds after turning switches off.

DRAINING TANKS

DRAINING RECOVERY TANK

- Turn machine off.
- Insert supplied 45° elbow in drain valve. Place a bucket below it and slowly pull up on the handle (Figure 9).



Fig. 9

- Rinse tank with clean water at the end of the day.

DRAINING SOLUTION TANK

- Remove empty-out nozzle from its storage bracket (Figure 10) and attach to end of solution hose.

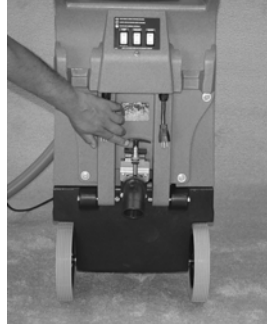


Fig. 10

- Place empty-out nozzle over a bucket and turn on pump until all the solution has been pumped from solution tank.
- Replace empty-out nozzle to its storage location.

FREEZE PROTECTION

- After draining solution tank as described in steps one and two in the previous section (DRAINING SOLUTION TANK), place empty-out nozzle in end of vacuum hose and seal with hand (Figure 11).

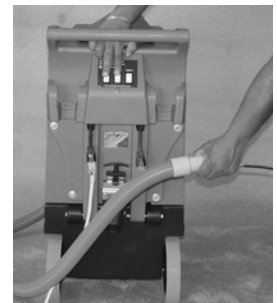
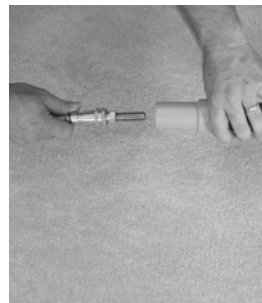


Fig. 11

- Turn on vacuum and pump for 15 seconds. This will fill the pump and hoses with air and prevent freezing.
- Replace empty-out nozzle to its storage place.

OPERATION

MACHINE MAINTENANCE

To keep machine in good working condition, simply follow machine's daily, weekly and monthly maintenance procedures.

FOR SAFETY: When servicing machine, unplug cord from wall outlet.

DAILY MAINTENANCE (Every 4 Hours of Operation)

1. Empty and rinse out recovery tank thoroughly.
2. Remove float shut-off screen from recovery tank and clean (Figure 12.)



FIG. 12

3. When solution tank is empty, remove and clean solution filter screen located in the bottom of the solution tank.
4. Wipe off power cord and check for damage, replace if necessary. Coil cord neatly after use.
5. Clean machine with an all purpose cleaner and damp cloth.

WEEKLY MAINTENANCE (Every 20 Hours of Operation)

1. Inspect vacuum hoses for holes and loose cuffs.
2. Inspect spray pattern for plugging. If plugged, remove spray tips and soak them in acetic acid solution for up to six hours. Do not use pointed objects to unplug tips, damage will occur.

FOR SAFETY: When using machine, follow mixing and handling instructions on chemical containers.

3. Inspect cord and cord grip for damage. Replace immediately if damaged.
4. Lubricate metal shaft on recovery tank drain with water resistant oil.
5. Lubricate female hose couplers with lightweight oil.

MONTHLY MAINTENANCE (Every 80 Hours of Operation)

1. Lubricate wheels with water resistant oil.
2. Inspect machine for water leaks and loose hardware.

QUARTERLY MAINTENANCE (Every 250 hours of Operation)

Check vacuum motor for carbon brush wear. Replace motor if worn to a length of 10mm (0.38") or less.

STORING MACHINE

1. Before storing machine, be certain to drain and rinse tanks of all water.
2. Store machine in a dry area in the upright position.
3. Open recovery tank lid to promote air circulation.

ATTENTION: Do not expose to rain. Store indoors.

ATTENTION: If storing machine in freezing temperatures, be sure that machine and solution system are completely drained and dry.

RECOMMENDED STOCK ITEMS

Refer to Parts List section for recommended stock items. Stock items are clearly identified with a bullet preceding the parts description. See example below:

PART #	DESCRIPTION	QTY.
J-30.	LID, DOME	1
• J-38GRANITE	TOP,SOL TANK ROTO GRANITE	1
J-39.5GRANITE	HANDLE,WASTE TANK ROTO GRANI	1
J-39GRANITE	WASTE TANK, ROTO GRANITE	1

OPERATION

TROUBLE SHOOTING

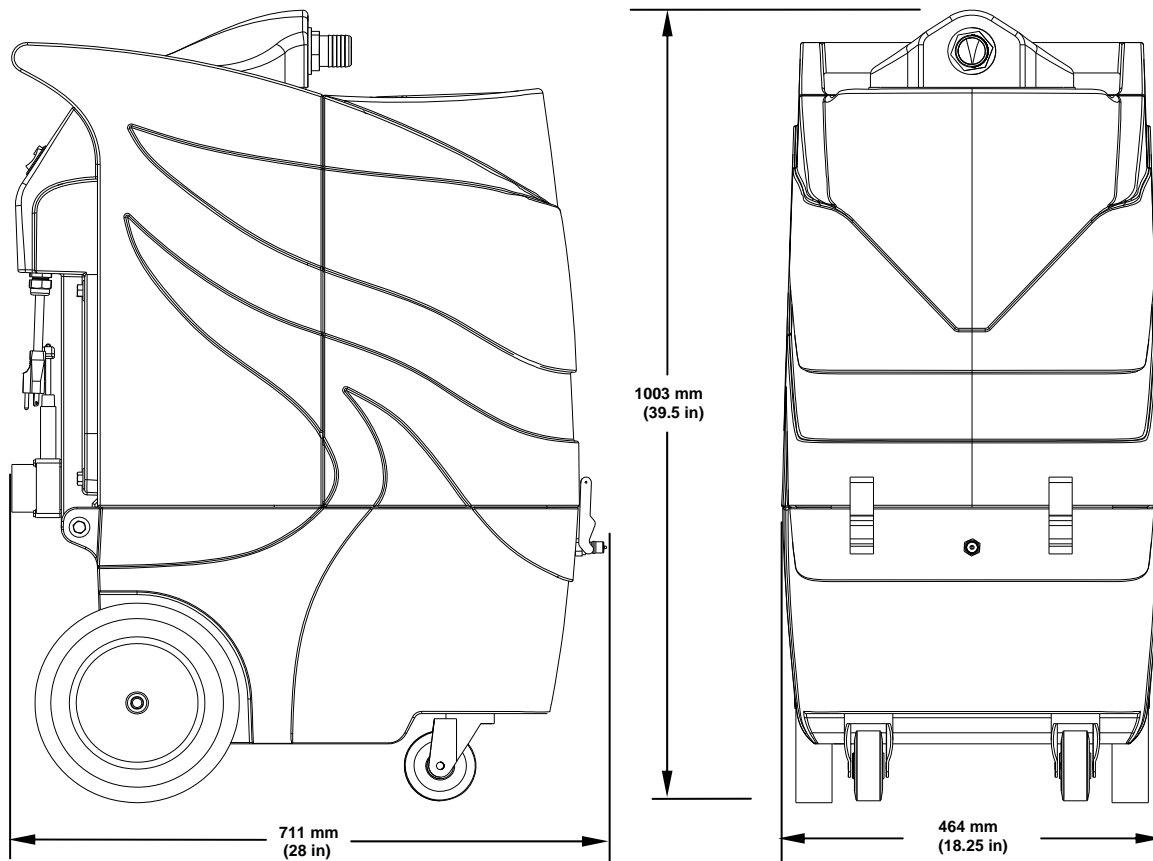
PROBLEM	CAUSE	SOLUTION
Machine does not operate.	Faulty switches or wiring.	Contact Service Center.
	Faulty power cord.	Contact Service Center.
	Building circuit breaker tripped.	Reset Breaker.
Heater does not heat.	Faulty switch or wiring.	Contact service center.
Solution pump does not operate.	Faulty switch or wiring.	Contact Service Center.
	Faulty solution pump motor.	Contact Service Center.
	Faulty pump head.	Contact Service Center.
	Trigger on wand not pulled.	Pull Solution Trigger.
	Quick couplers not fully engaged.	Connect quick couplers.
Vacuum motor does not operate.	Loose or broken wiring.	Contact Service Center.
	Faulty vacuum switch.	Contact Service Center.
	Defective vacuum motor.	Contact Service Center.
	Worn carbon brushes.	Contact Service Center.
Poor solution pick-up.	Recovery tank drain valve open.	Close valve.
	Vacuum or lid loose.	Tighten lid.
	Defective lid gasket.	Replace gasket.
	Clogged float shut-off screen.	Remove recovery tank lid and clean screen.
	Loose vacuum hose connections.	Secure cuffs to hose.
	Defective vacuum hose.	Replace hose.
Uneven or no spray.	Plugged spray tips.	Clean or replace tips.
	Improper spray tip size or spray angle.	Replace with proper tips.
	Worn spray tips.	Replace spray tips.
	Solution tank low or empty.	Refill solution tank.
	Faulty solution pump.	Contact Service Center.

OPERATION

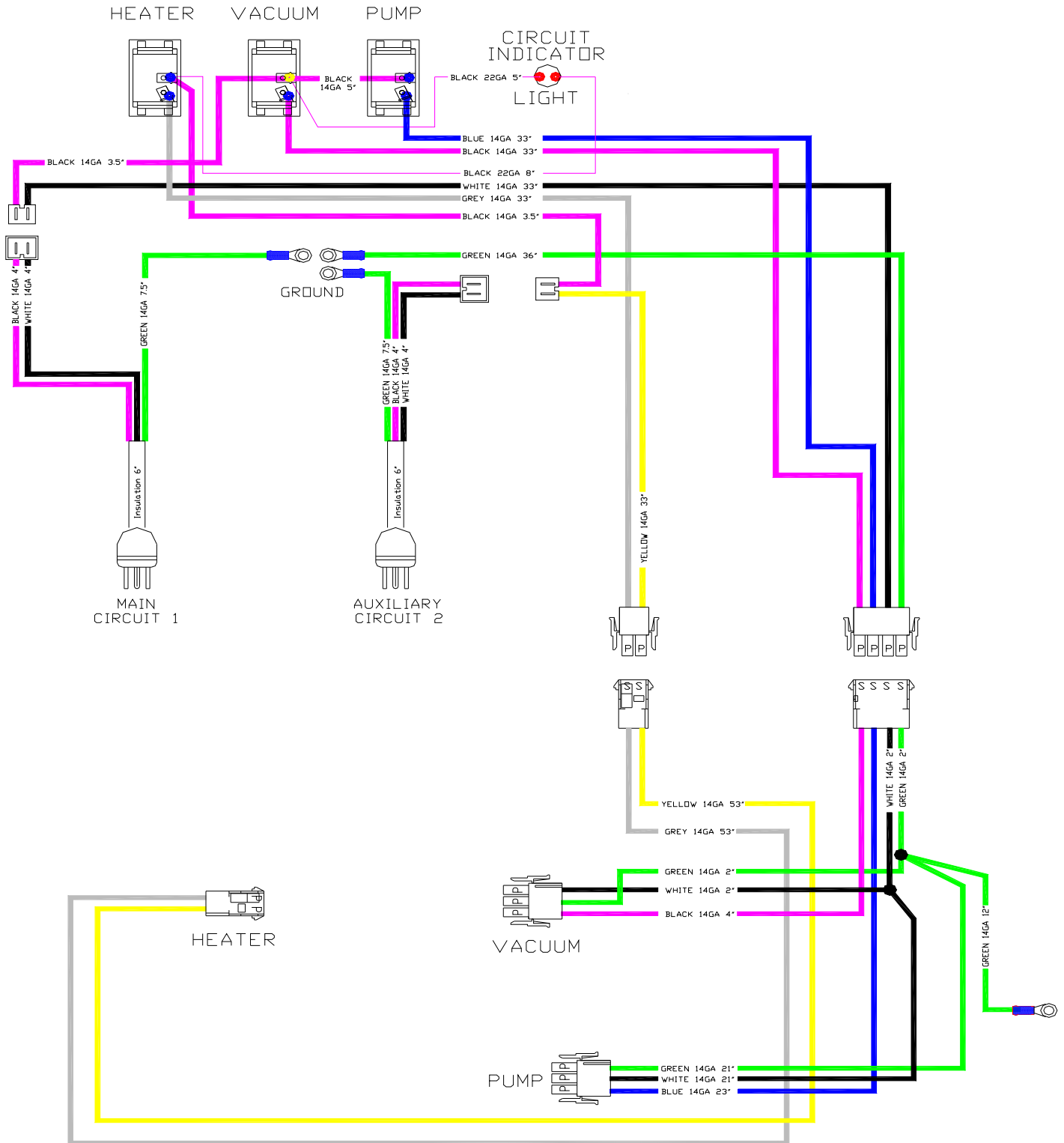
SPECIFICATIONS

Model	61413A22AD
LENGTH	711 mm (28 in)
WIDTH	464 mm (18.25 in)
HEIGHT	1003 mm (39.5 in)
WEIGHT	45 Kg (99 lbs)
SOLUTION TANK CAPACITY	53 L (14 gal)
RECOVERY TANK CAPACITY	38L (10 gal)
SOLUTION PUMP	100 V, 6.8 bar (100psi), .82 A
VACUUM MOTOR – 3 STAGE	120 V,12.1A, 1452 W
INLINE HEATER	120 V, 14.5A, 1750 W
SEALED WATER LIFT	3454 mm (136 in)
TOTAL POWER CONSUMPTION	HEATER 120v,14.5A, 1750 W; CIR 2 120V, 13A, 1560W
POWER CORDS	2 @ 7.6m (25 ft) 3/12
DECIBEL RATING 3 METERS (10 FT) FROM MACHINE ON CARPET	<75 db(A)

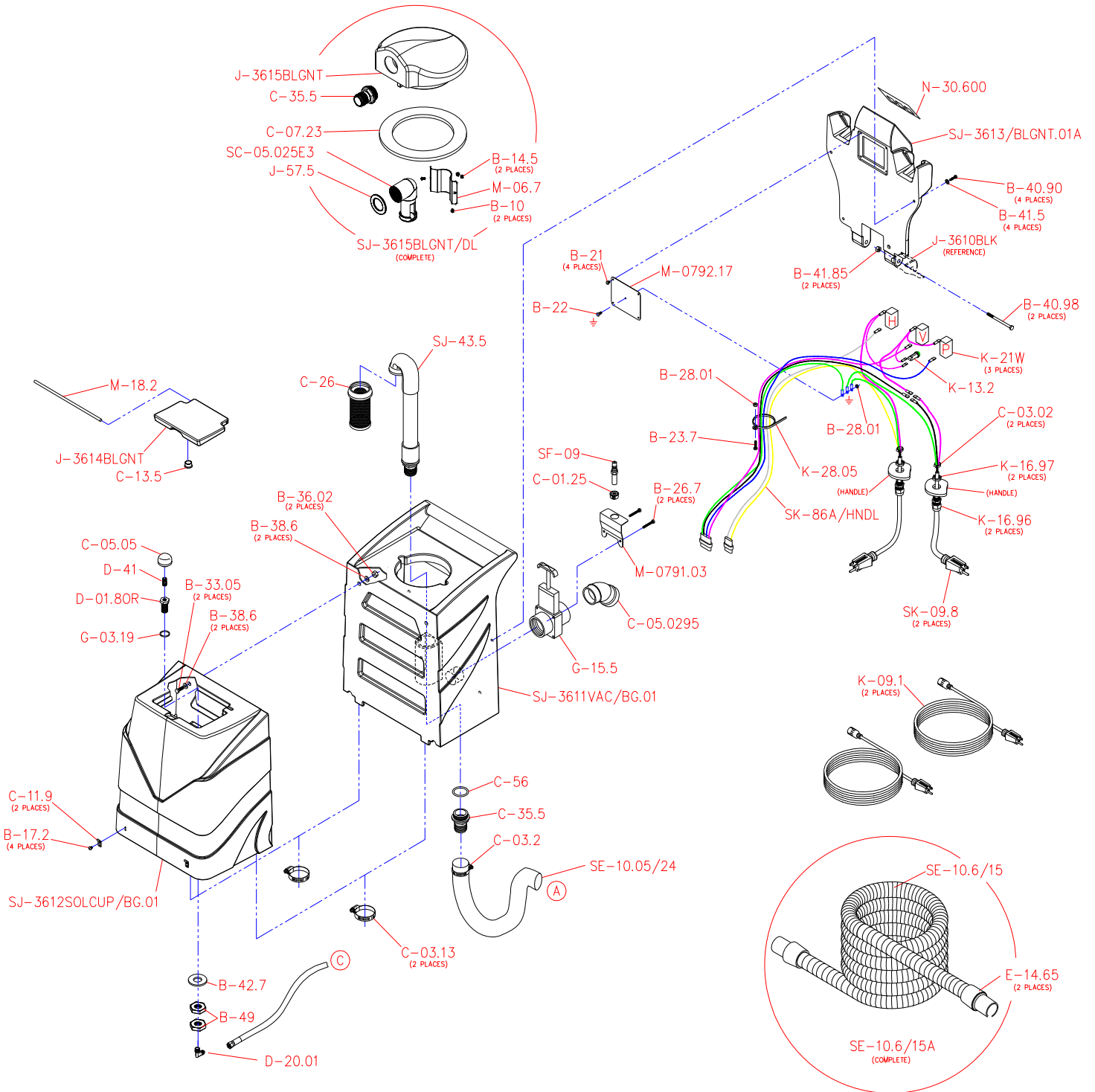
MACHINE DIMENSIONS



120 V WIRING DIAGRAM



TANK GROUP



TANK GROUP

PART #	DESCRIPTION	QTY.
B-10	6-32 X 1/2 PHXSS	2
B-14.5	NUT 6-32 HEX SS NYLOK	2
B-17.2	8-32 X 1/2 PHXSS	4
B-21	10-32 X 5/16 PHXSS	4
B-22	10-32 X 7/16 PHXSS	1
B-23.7	10-32 X 5/8 PHXSS	1
B-26.7	10-32 X 1 1/2 PHXZINC	2
B-28.01	NUT 10-32 HEX ZINC	2
B-33.05	1/4-20 X 1 HEX HD SS	2
B-36.02	NUT 1/4-20 NYLOK SS	2
B-38.6	WASHER, 1/4 FLAT SS	4
B-40.90	3/8-16 X 1 1/4 HEX ZINC	4
B-40.98	3/8-16 X 4 1/2" HEX ZINC	2
B-41.5	WASHER, 3/8 FLAT ZINC	4
B-41.85	NUT 3/8-16 NYLOCK, ZINC	2
B-42.7	WASHER, 3/4 FLAT BLKHD CP	1
B-49	NUT,BULKHEAD 3/4-16 X.225	2
C-01.25	BUSHING,HOLDER EMPTY-OUT	1
C-03.02	CLAMP, HOSE 1/4" #4	2
C-03.13	CLAMP, HOSE 1 3/4 #20	2
C-03.2	CLAMP, HOSE 2" #24	1
• C-05.05	FILTER, 1/4NPT 50MESH	1
• C-07.23	GASKET, FLAME DOME LID	1
C-13.5	PLUG, HOLE NYLON .562	1
C-26	FLOAT,VAC SHUT OFF ROTO	1
C-35.5	HOSE BARB,1 1/2XMPT W/FLA	2
C-56	O-RING, 1.75 X .187	1
D-01.8OR	BULK HEAD, 1/4" BRASS W/O-RING	1
D-20.01	ELBOW 90 1/4NPT X -4 SAE	1
D-41	NIPPLE, 1/4 NPT CLOSE BR	1

PART #	DESCRIPTION	QTY.
E-14.65	CUFF, 1 1/2 SLIP 1 1/2 HOSE	2
G-03.19	O-RING, VITON 2-020 BLKHD	1
G-15.5	VALVE,DUMP 1 1/2FPT X SLIP FLANG	1
J-3614BLGNT	LID,SOL FLAME BLUEGRNT DL AS MO	1
J-3615BLGNT	LID,DOME FLAME BLUEGRNT DL AS M	1
J-57.5	SPACER,ROTO 3"OD X 2.4"ID	1
K-09.1	CORD,25' 12/3SJT UG	2
K-13.2	LIGHT, GREEN ROUND	1
K-16.96	BUSHING,RELIEF 1/2 NPT	2
K-16.97	NUT,NYLON BUSHING REL.1/2	2
• K-21W	SWITCH, SPST WATER RESIS	3
K-28.05	TIE, WIRE NYLON #10 SCREW	1
M-06.7	GUARD,SPLASH EDGE 3 LID	1
M-0791.03	BRACKET,SF-09 HOLDER EDGE	1
M-0792.17	PLATE,HANDLE SW COVR FLAME	1
M-18.2	HINDGE, SOLUTION LID EDGE 2 8.125"	1
N-30.600	PANEL,SPHERE PVH	1
SC-05.025E3	ELBOW,PVC LID ASSM EDGE 3	1
SE-10.05/24	HOSE, VAC 1.5" FLEX 24"	1
SE-10.6/15	HOSE,VAC 1 1/2X15' W/1.5 CUFFS	1
SE-10.6/15A	HOSE,VAC 1 1/2X15'	1
SF-09	NOZZEL, EMPTY OUT MALE	1
SJ-3611VAC/BG.01	TANK VAC, DRILLED THRASHER	1
SJ-3612SOLCUP/BG.01	TANK SOL,DRILLED THRASHER	1
SJ-3613/BLGNT.01A	HNDL,ED 3 SWT & 1 CI LIGHT BLGRNT	1
SJ-3615BLGNT/DL	LID COMPLETE FLAME BLGNT DL	1
SJ-43.5	COMP,VAC FLTR NECK ASSM FLAME	1
• SK-09.8	CORD,PIG TAIL EDGE COMP.	2
SK-86A/HNDL	HARNESS, HNDL EDGE C2H CI C1VP	1

- RECOMMENDED STOCK ITEMS

BASE GROUP

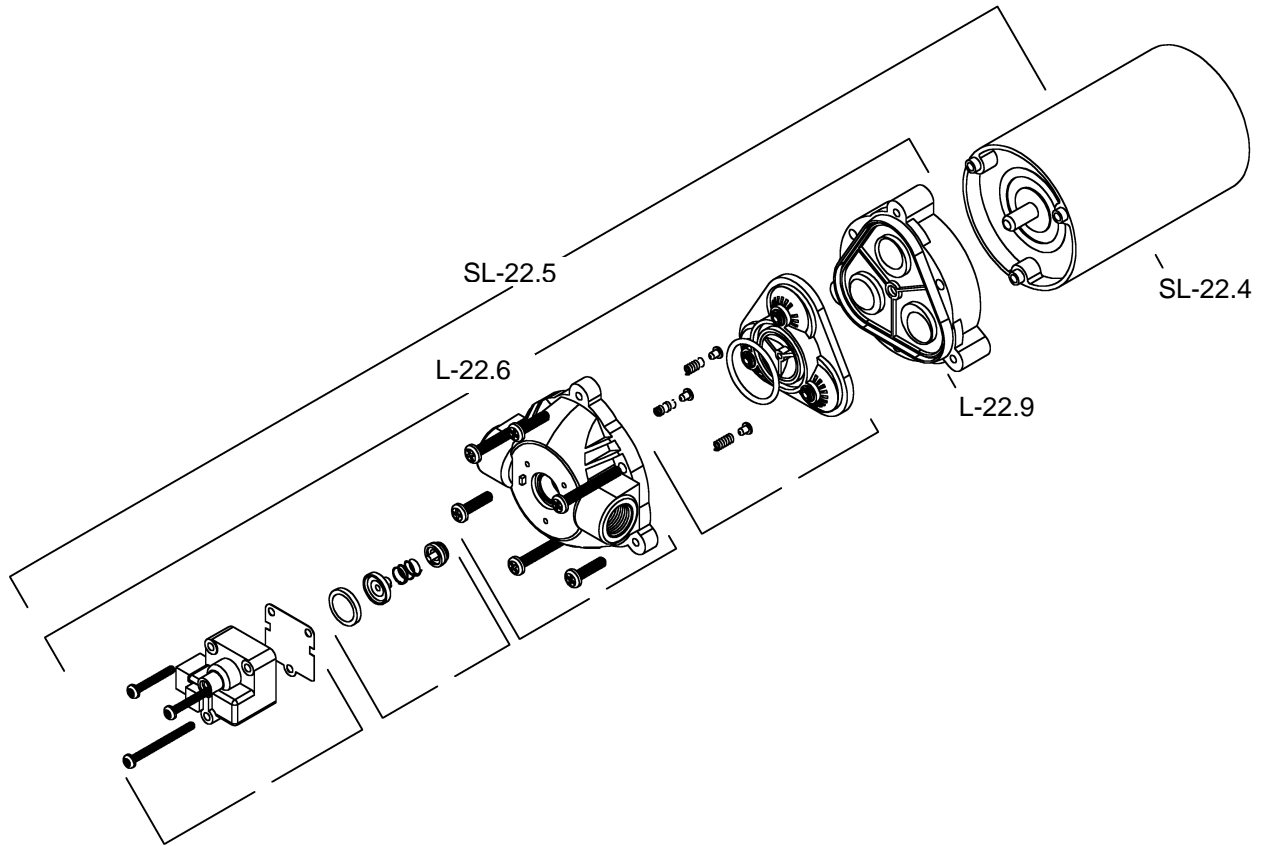
PART #	DESCRIPTION	QTY.
B-09.1	6-32 X 3/8 PHXSS	4
B-11.2	6-32 X 3/4 FHXSS 100 DEG	4
B-14.5	NUT 6-32 HEX SS NYLOK	4
B-16.2	8-32 X 3/8 PHXSS	4
B-17.6	8-32 X 3/4PHX ZINC	4
B-18.02	NUT 8-32 NYLOK, ZINC	4
B-21	10-32 X 5/16 PHXSS	5
B-22	10-32 X 7/16 PHXSS	2
B-23.17	10-32 X 1/2 SELF TAP HEX	1
B-23.7	10-32 X 5/8 PHXSS	4
B-28.01	NUT 10-32 HEX ZINC	4
B-28.03	NUT, 10-32 NYLOK ZINK	4
B-32	1/4-20 X 3/4 HEX HD CP	8
B-33.4	1/4-20 X 3 3/4 HEX CP	3
B-36.01	NUT 1/4-20 NYLOK ZINK	11
B-38.5	WASHER, 1/4 FLAT CP SAE	6
B-42	WASHER 9/16 x 1 1/4 FLAT	6
C-02.3	CASTER 3 1/2"	2
C-03.3	CLAMP, HOSE 2 1/4 #32	1
• C-06	GASKET, BLOWER/ARLON 1/4"	1
C-07.3	GASKET,VAC SEAL EDGE BASE	1
C-11.9	LATCH, SOFT DRAW BLACK	2
C-23.8	WHEEL 10" - 1/2"BORE	2
C-59	PUSHNUT FASTNER, 1/2 CAP	2
C-95	VELCRO, ONE WRAP STRAP 1/2" X 12"	1
D-04	BUSHING 3/8 X 1/4 NPT BR.	2
D-07.015	COUP 1/4FPT X -4SAE	1
D-17	90 ST ELBOW 1/4" NPT	1
D-20.01	ELBOW 90 1/4NPT X -4 SAE	1
D-20.015	ELBOW 90 1/4NPT X -6 SAE	1
D-48.5	TEE,STREET 1/4 NPT BRASS	2
D-93.4	VALVE,PRESSURE REL 1/4 SS	1

PART #	DESCRIPTION	QTY.
E-14	CUFF, 1 1/2SLIP X 1 1/4HOSE	1
• F-09	Q/C 1/4" PLUG BR SHUT OFF	1
• F-11	Q/C 1/4" SOC BR SHUT OFF	2
K-17.3	CLAMP,NYLON CABLE 3/16"	2
K-17.4	CLAMP,NYLON CABLE 1/4"	2
K-25.82	THERMOSTAT, 190 SPST	1
K-25.83	THERMOSTAT, 230 SPST	1
M-0791	AXIL, ROD 1/2 EDGE	1
M-0792.03	PLATE,VAC MNT 1 VAC - NO QUIET	1
M-0792.3	PLATE,HTR MNT EDGE	1
M-0792.4	PLATE,ASM HTR COVER EDGE 4 THERMO	1
M-31.175	STAND-OFF 5.7 EDGE 3.215	3
M-72	SPACER, QUICK CONNECT	1
M-93	WASHER, .219 X .625 18GA	4
SC-16.69	SCREEN,BLOWER GUARD	1
SE-02/15	HOSE, 1/8"X1/4NPTX1/4NPT	1
SE-02/15E	HOSE,1/8 SOL 15' EDGE	1
SE-06.7/12.1	HOSE,1/4 SOL 12" 1/4NPT X -4SAE	1
SE-06.7/20	HOSE,1/4 SOL, 1/4MPTX-4SAE	1
SE-06.7/30	HOSE,1/4NPT X -4SAEFMLSVL 30"LONG	1
SE-06.9/20	HOSE, -6SAE X 1/4NPT 20	1
SE-12.5/10	HOSE,2" FLEX EXHAUST 10"	1
SJ-02.3	EXCHG, CASTING COMP EDGE	1
SJ-45BLKCOV	COVER,HTR EDGE	1
SK-12.7	HTR,CRT 1750 120V COM EDG	1
SK-50.14/3.5	WIRE,BLACK 14GA W/.25FASTONS 3/5"	1
SK-85/BASE	HARNESS,BASE EDGE C2H CI C1VP	1
• SL-006.5	BLOWER,3STG 120 5.7W/PLUG	1
• SL-22.5	PUMP,SH FL 100SI 115V W PLUG	1
SM-0277.1	EXCHG,HT EDGE 110V 1750	1
SR-08/6	INSULATION,HTR EDGE	1

- RECOMMENDED STOCK ITEMS

PARTS LIST

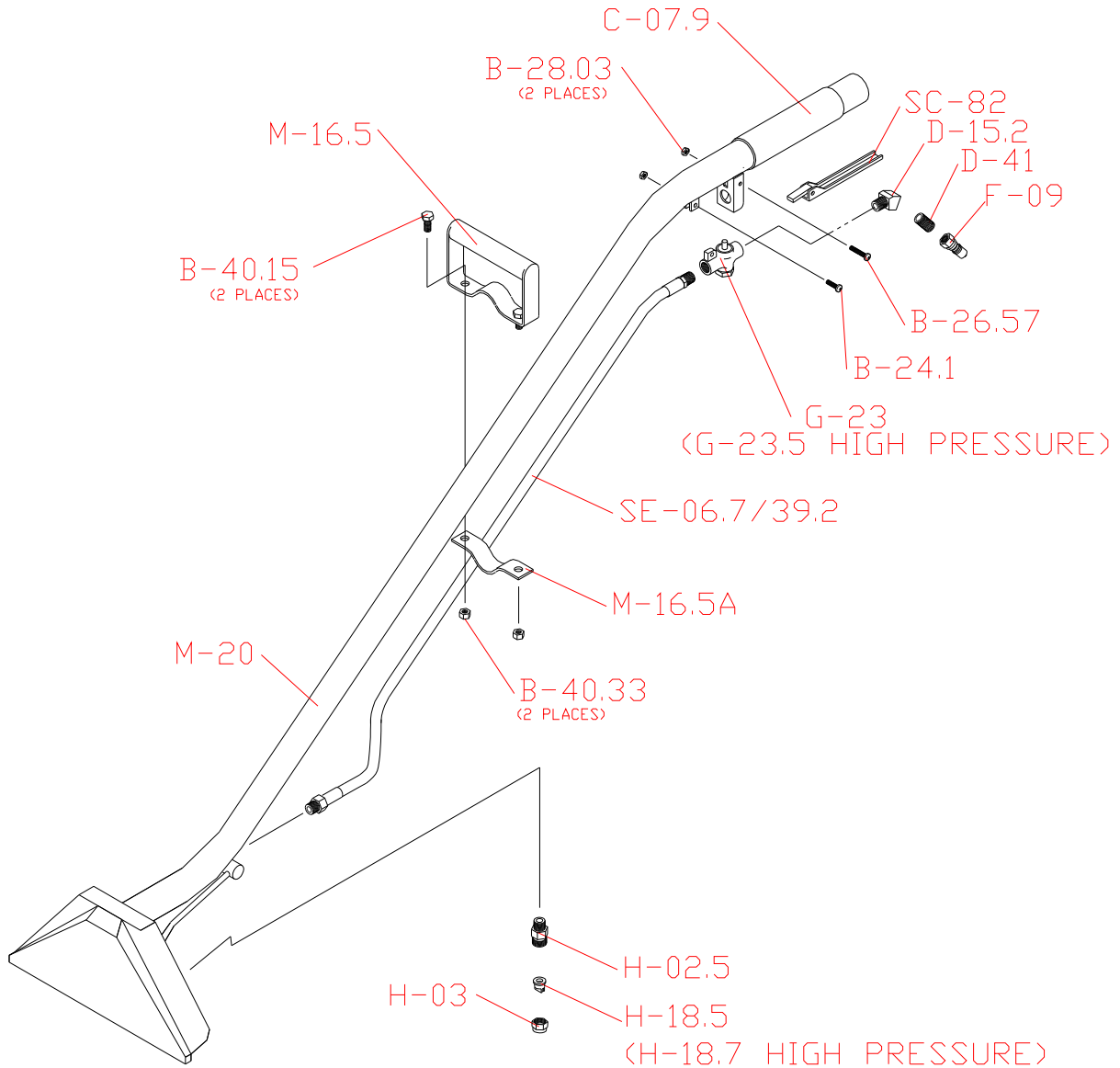
PUMP 100 PSI BREAKDOWN



PART #	DESCRIPTION	QTY.
SL-22.5	• PUMP SH FL 100 PSI 100V	1
L-22.6	PUMP HEAD 100 PSI COMP ASM	1
L-22.66	• SWITCH ASM, 100 PSI SH FL	1
L-22.65	• CHECK VALVE ASM, 100 PSI SH FL	1
L-24.12	HEAD, PUMP DIAPHRAGM	1
L-22.8	• VALVE ASM, BYPASS SH FL	1
L-22.9	DIAPHRAGM, SOLID DRIVE ASM	1
SL-22.4	MOTOR, 100 PSI 120V SH FL PLG	1

- RECOMMENDED STOCK ITEMS

FLOOR TOOL

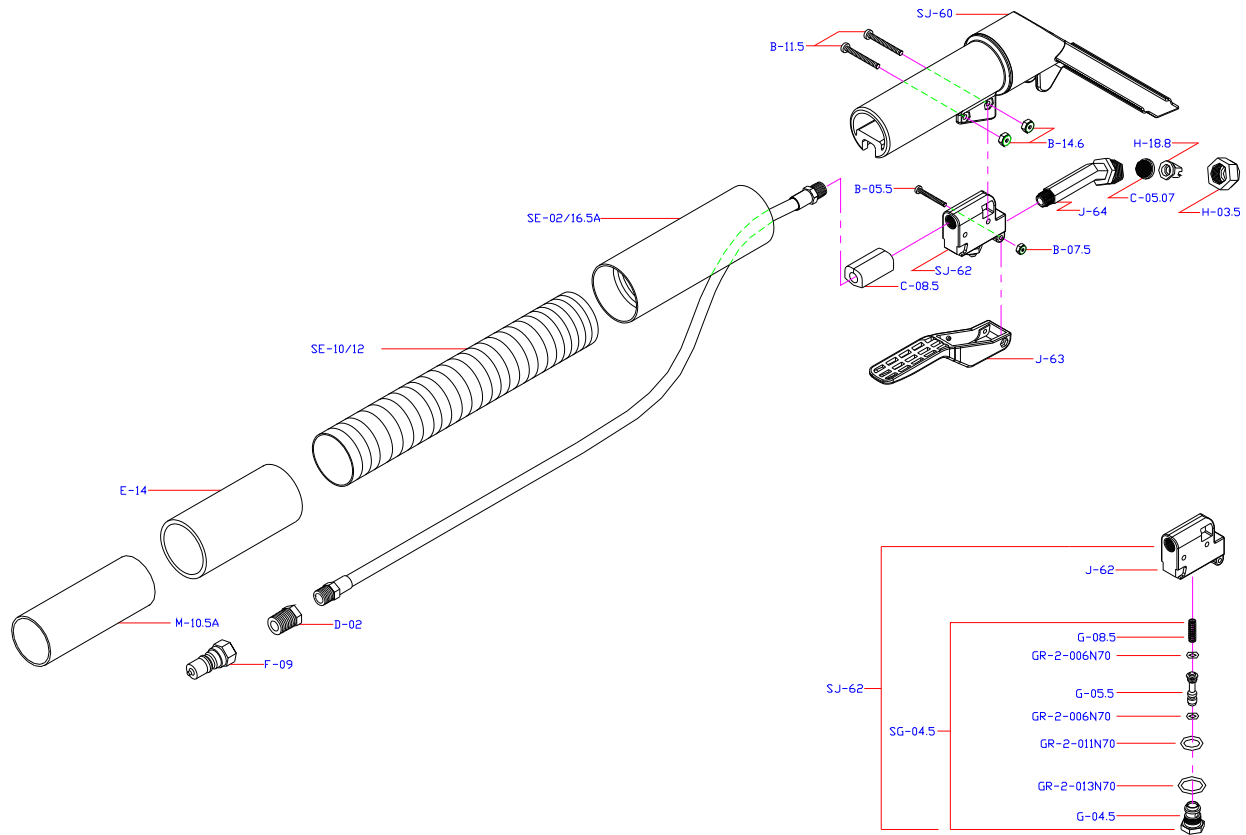


PART #	DESCRIPTION	QTY.
B-24.1	10-32 X 3/4 PHXZINC	1
B-26.57	10-32 X 1 3/8 PHX ZINC	1
B-28.03	NUT, 10-32 NYLOK ZINK	2
B-40.15	5/16-18 X 3/4 HEX CP	2
B-40.33	NUT 5/16-18 NYLOCK, ZINC	2
C-07.9	GRIP, FLRTOOL 1 1/2 X 6	1
D-15.2	45 ST ELBOW 1/4 NPT	1
D-41	NIPPLE, 1/4 NPT CLOSE BR	1
• F-09	Q/C 1/4" PLUG BR SHUT OFF	1
G-23	VALVE,KNGSTN STD "S" BEND	1

PART #	DESCRIPTION	QTY.
G-23.5	VALVE,KNSTN HP "S" BEND	1
H-02.5	BODY, TEE JET 1/4 BRASS	2
H-03	CAP NUT, TEE JET BRASS	2
• H-18.5	JET,11003 TEE BRASS	2
• H-18.7	JET,110015 E TEE BRASS	2
M-16.5	HOE HANDLE,ECONO FLRTL	1
M-16.5A	"U"CLAMP,SUPP HOE HNDL EC	1
M-20	WAND,"S"BND FLTL COM W/HD	1
SC-82	TRIGGER,COMP KNGSTN VALVE	1
SE-06.7/39.2	HOSE,1/4"SOL BLU X39.25DB	1

●RECOMMENDED STOCK ITEMS

HAND TOOL



PART #	Description	QTY.
B-05.5	4-40 X 7/8 PHXZINC	1
B-07.5	NUT, 4-40 HEX ZINC NYLOK	1
B-11.5	6-32 X 1 PHXZINC	2
B-14.6	NUT, 6-32 HEX ZINC NYLOK	2
B-16.2	8-32 X 3/8 PHXSS	1
B-18.01	NUT 8-32 NYLOK, SS	1
C-05.07	FILTER, 4" DETAIL TOOL 50 MESH	1
C-08.5	GROMMET, CLEAR DETAIL TOOL	1
D-02	BUSHING 1/4 X 1/8 NPT BR	1
E-13.5	CUFF,EXTRN HOSE 1 1/2SLPX1 1/4HOSE	1
E-14	CUFF, 1 1/2SLIP X 1 1/4HOSE	1
F-09	Q/C 1/4" PLUG BR SHUT OFF	1
G-04.5	GUIDE, VALVE STEM HEX BRASS	1
G-05.5	STEM, VALVE SS 4" DETAIL TOOL	1
G-08.5	SPRING, VALVE 4" UPH TOOL	1

PART #	Description	QTY.
GR-2-006N70	O-RING,2-006 BUNA 70DR	2
GR-2-011N70	O-RING,2-011 BUNA 70DR	1
GR-2-013N70	O-RING,2-013 BUNA 70DR	1
H-03.5	CAP NUT,TEE JET POLYPRO	1
H-18.8	JET, 110015 STD FLAT SPRYTIP PLSTIC	1
J-62	VALVE, 4" DETAIL TOOL AS MOLDED	1
J-63	TRIGGER, 4" DETAIL TOOL	1
J-64	ELBOW, 4" DETAIL TOOL	1
M10.5A	COUPLER, 1.5" VAC HOSE ALUM	1
SE-02/16.5A	HOSE, 1/8 BLK 16.5" ASM W/EXTRN CUFF	1
SE-10/12	HOSE, VAC 1 1/4 GREY/BLACK 12" LONG	1
SG-04.5	STEM ASM 4"TOOL BUNA W/BRASS CAP	1
SJ-60	HANDLE ASM, 4" DETAIL TOOL	1
SJ-62	VALVE,NYLON COMPLETE STD 4"DETAIL	1

EDGE WARRANTY POLICY

LABOR & PARTS POLICY

For the first 12 months from the date of original purchase, upon Kleenrite's determination, product manufacturing defects will be repaired or replaced at no charge for labor and/or parts provided that the machine or part(s) is delivered or shipped freight prepaid to Kleenrite or its designated repair center and provided that a Return Authorization is obtained from Kleenrite prior to machine or part(s) being shipped. (See "How to Obtain a Return Authorization".)

Kleenrite is not responsible to pay for parts supplied by or labor performed by any of its distributors or any general service companies.

PARTS ONLY – STANDARD REPLACEMENT POLICY

For the first 12 months from the date of original purchase, in the event that a part believed to be under warranty fails, simply call Kleenrite to obtain a Return Authorization, ship the part freight prepaid to Kleenrite and, Kleenrite will either repair or replace the part at no charge if it is determined that failure was a manufacturing defect. Kleenrite will then ship the repaired or replaced part back to you freight collect. Our service department can usually talk a person through any part replacement procedure in a matter of minutes. There is no charge for this nationwide toll-free service.

PARTS ONLY – EMERGENCY REPLACEMENT POLICY

For the first 12 months from the date of original purchase, in the event that a part believed by the registered owner to be under warranty fails and an immediate replacement part is requested before Kleenrite can inspect the part that is suspected to be faulty or have a chance to repair it, Kleenrite will ship the requested part on a COD basis (part plus freight) or if credit has been established prior to the request the part will be shipped on an Open Account basis (part plus freight). A Return Authorization must be requested at the time of order so that the suspected defective part can be returned freight prepaid to Kleenrite for warranty consideration. If after receiving the part, Kleenrite determines that the part has a manufacturing defect and can be repaired, the part will be repaired to normal working condition and returned (freight collect) to the original registered owner as a spare part and no refund will be made. Should Kleenrite determine that the part is covered by warranty and cannot be repaired, Kleenrite will credit an open account customer the same amount as was charged when the replacement part was sent less freight and will refund a COD customer the same way. However, should Kleenrite determine that the part received was not a manufacturing defect, you will be informed of such and credit will not be given nor will the damaged part be returned unless requested specifically to the registered owner.

HOW TO OBTAIN A RETURN AUTHORIZATION

Prior to shipping any part, assembly or machine to Kleenrite a Return Authorization Number must be requested from Kleenrite and displayed prominently on the outside of all packages containing parts or machines for warranty consideration to be processed and in effect. A Return Authorization can be obtained by calling Kleenrite Service Department at 1-800-241-4865 or 1-559-673-5700. The machine and/or part serial number must be communicated to Kleenrite Customer Service to receive a Return Authorization Number. Any machine, part or assembly must be returned with its original serial number as affixed by Kleenrite for warranty consideration to be in effect. All returns will be sent to Kleenrite at 1122 Maple Street, Madera Ca. 93637. Fax communications can be sent to 1-559-673-5725 and emails sent to kleenritemfg.com.

WARRANTY

Kleenrite Equipment, Inc. warrants the Edge Cleaning Machine against defects in material and workmanship under normal use and service. Kleenrite, hereby, extends a limited three-year warranty on the polyethylene machine housing of the Edge against cracking or leaking and a one-year warranty on the rest of the machine against manufacturing defect or workmanship subject to the terms and conditions that follow.

TERMS AND CONDITIONS

The warranty obligation extends only to the repair or replacement of parts, assemblies or machine housing found upon examination by Kleenrite to be defective in manufacturing or workmanship, and Kleenrite reserves the right to make that determination. Any adjustment or replacement of defective parts made under this warranty does not void the warranty; neither does it extend the original warranty beyond its term.

Repair or replacements of any machine component(s) with any part(s) other than genuine Kleenrite parts will immediately void this and all warranties.

Filters, brass fittings, seals, o-rings and quick disconnects are considered expendable in normal use and are not covered by this warranty.

Dry cleaning solvents cannot be used in the Edge.

This warranty shall not cover any Edge machine housing, part or assembly if there is evidence of misuse, alteration, owner neglect, lack of proper maintenance, improper chemical use, improper voltage, abuse, accident, freezing, flood, fire, etc. and any and all circumstances beyond Kleenrite's control.

In no event shall Kleenrite be liable for loss of use, incidental or consequential damages or any damages to persons or property.

KLEENRITE 1122 MAPLE STREET, MADERA CA 93637 USA
Phone 800-241-4865, 559-673-5700; Fax 559-673-5725; Email kleenritemfg.com

PLEASE RETURN REGISTRATION WITHIN 10 DAYS OF RECEIVING YOUR EDGE CLEANING MACHINE.

SPECIALS: Check our web site at: kleenritemfg.com for parts and equipment price specials.

KEEP THIS COPY FOR YOUR RECORDS

WARRANTY REGISTRATION	Date Received
	Registered Owner(s)
	Address
	Phone Number
	Fax Number
	Email Address
	Machine Serial Number
	Purchased From (Distributor)

WARRANTY

Kleenrite Equipment, Inc. warrants the Edge Cleaning Machine against defects in material and workmanship under normal use and service. Kleenrite, hereby, extends a limited three-year warranty on the polyethylene machine housing of the Edge against cracking or leaking and a one-year warranty on the rest of the machine against manufacturing defect or workmanship subject to the terms and conditions that follow.

TERMS AND CONDITIONS

The warranty obligation extends only to the repair or replacement of parts, assemblies or machine housing found upon examination by Kleenrite to be defective in manufacturing or workmanship, and Kleenrite reserves the right to make that determination. Any adjustment or replacement of defective parts made under this warranty does not void the warranty; neither does it extend the original warranty beyond its term.

Repair or replacements of any machine component(s) with any part(s) other than genuine Kleenrite parts will immediately void this and all warranties.

Filters, brass fittings, seals, o-rings and quick disconnects are considered expendable in normal use and are not covered by this warranty.

Dry cleaning solvents cannot be used in the Edge.

This warranty shall not cover any Edge machine housing, part or assembly if there is evidence of misuse, alteration, owner neglect, lack of proper maintenance, improper chemical use, improper voltage, abuse, accident, freezing, flood, fire, etc. and any and all circumstances beyond Kleenrite's control.

In no event shall Kleenrite be liable for loss of use, incidental or consequential damages or any damages to persons or property.

KLEENRITE 1122 MAPLE STREET, MADERA CA 93637 USA
Phone 800-241-4865, 559-673-5700; Fax 559-673-5725; Email kleenritemfg.com

PLEASE RETURN REGISTRATION WITHIN 10 DAYS OF RECEIVING YOUR EDGE CLEANING MACHINE.

SPECIALS: Check our web site at: kleenritemfg.com for parts and equipment price specials.

PLEASE RETURN THIS ENTIRE SHEET

WARRANTY REGISTRATION	Date Received
	Registered Owner(s)
	Address
	Phone Number
	Fax Number
	Email Address
	Machine Serial Number
Purchased From (Distributor)	